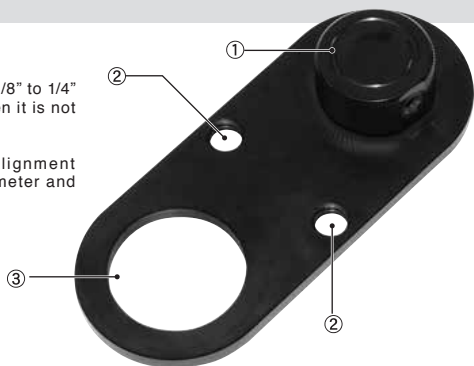


Part Name

- ① Arm bracket fixing screw
- ② Screw hole for keeping the 3/8" to 1/4" convert screw adapter (when it is not used.)
- ③ Threaded hole for polar alignment scope PF-LII (34mm in diameter and pitch 0.75mm)



Use this instruction together with the manuals for the POLARIE U and polar alignment scope PF-LII. The polar scope arm bracket is an adapter to install the polar alignment scope PF-LII to the POLARIE U star tracker.

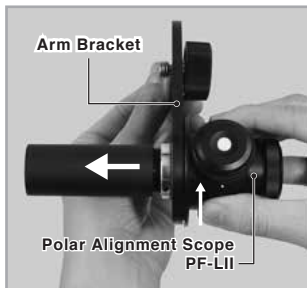
The polar scope arm bracket is applicable to the polar alignment scope PF-L and SX Polar axis scope, too. In the case of the SX Polar axis scope, a flashlight with red illumination light is needed additionally to illuminate the reticle.

■ Specifications

Threaded hole	: 34mm in diameter and pitch 0.75mm
Screw hole	: 2 x holes to screw the 3/8" to 1/4" convert screw adapter
Applicable to	: Polar alignment scope PF-LII, Polar alignment scope PF-L and SX Polar axis scope
Dimensions	: 120mm x 50mm x 5mm
Weight	: 74 g / 2.61 oz

Attaching the polar alignment scope PF-LII to the polar scope arm bracket.

Insert the polar alignment scope PF-LII into the threaded hole of the polar scope arm bracket from the side where the knob of the arm bracket fixing screw attached as shown in the figure. Screw up the polar alignment scope PF-LII securely.



Installing the polar alignment scope PF-LII to the POLARIE U.

Install the polar alignment scope PF-LII to which the polar scope arm bracket has attached, on the POLARIE U as shown in the figure. Tighten the arm bracket fixing screw securely.

