

Specifications (for Canon EOS cameras)

Attaching threads	60mm pitch 0.75mm, 56mm pitch 0.75mm for use with a reducer or corrector PH.
Mount type	Canon EF mount
Camera rotation	Possible
Supplied screws	6 pieces of fitted lock screws L, 6 pieces of lock screws S, 1 piece of M5x5
Adaptability	Focusers with 60mm threads drawtube A81M, A105M, A105MII, ED81SII, ED103S, ED115S, SD81S, SD103S, SD115S, AX103S, VSD100F3.8, R200SS, VC200L, VMC200L, VMC260L and VMC330L
Dimensions	81mm in diameter and 30mm in length (About 113mm in diameter with lock screws)
Weight	190 g
Country of origin	Japan

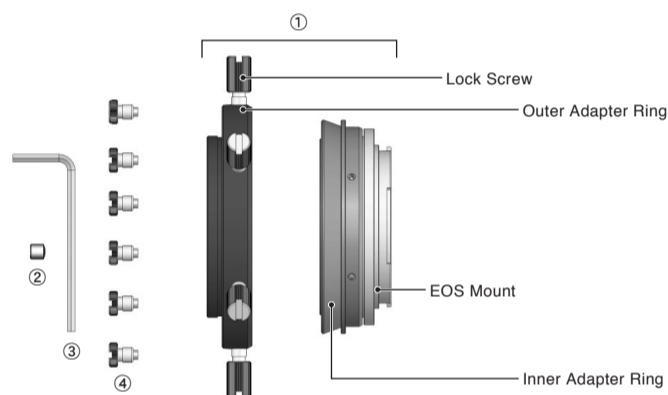
Vixen Co., Ltd.
<https://www.vixen.co.jp>

5-17-3 Higashitokorozawa, Tokorozawa, Saitama 359-0021, Japan
 Phone +81-4-2944-4141(International)
 Fax +81-4-2944-9722(International)

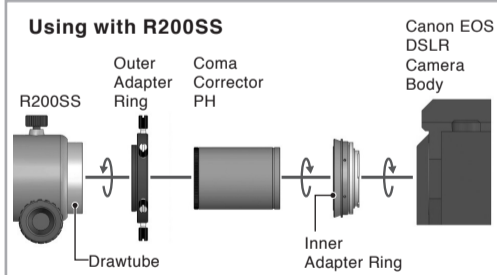
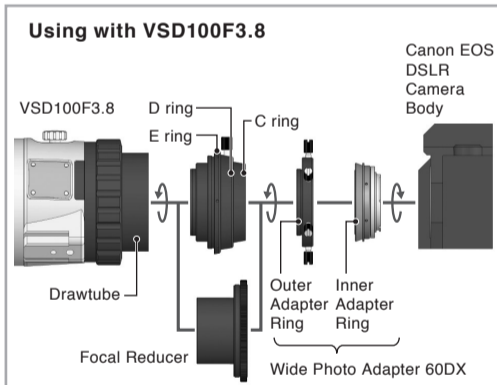
Identification of each part

These are instructions for the Wide Photo Adapter 60DX for Canon EOS cameras for prime focus astrophotography. Read the instructions in conjunction with the manuals for your telescope and camera before use.

Contents		
	Description	Q'ty
①	A set of wide photo adapter rings with lock screws L	1
②	M5 set screw – 5mm in dia. and 5mm in length	1
③	Allen wrench of 2.5mm on a side	1
④	Short lock screws S	6
⑤	Instructions (this manual)	1

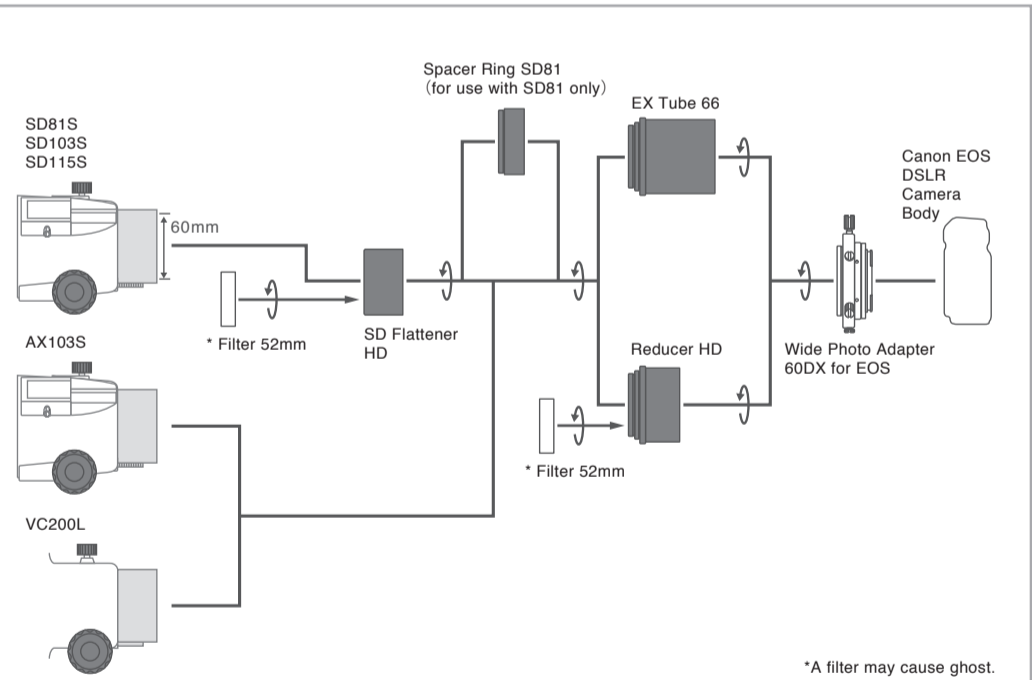
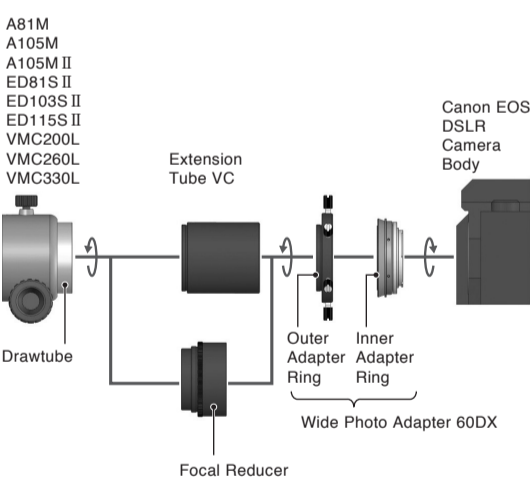


Composition Chart



Using with Different Vixen Optical Tubes

The Wide Photo Adapter 60DX can be attached to a drawtube with 60mm thread diameter.



Tips on Using the Wide Photo Adapter 60DX

Avoid interference in the camera body

Try to avoid interference by one of the following steps if the lock screw L interferes with the camera body.

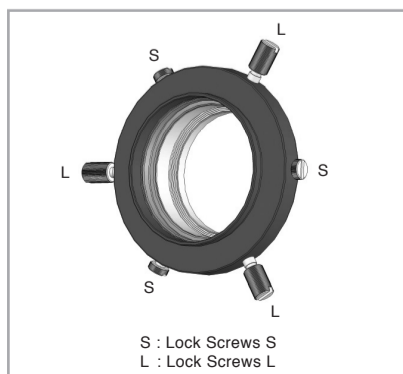
- (1) Exchange them for the lock screws S.
- (2) Replace 3 of the lock screws with the short lock screws S at 120 degrees apart.
- (3) Use the supplied M5 set screw.

Changing the image orientation in photography

Set the lock screws L and the short lock screws S at intervals of 120 degrees.

Slightly tighten the short lock screws. This will stabilize the outer adapter ring.

Rotate the camera by loosening the lock screws L only. (The short lock screws S can work to stabilize the rotation of the outer adapter ring.)



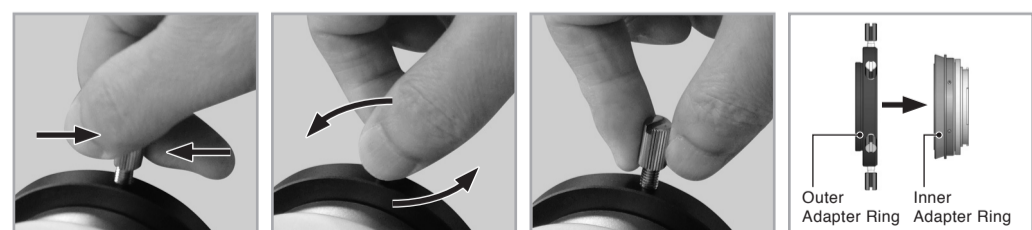
Vixen®

Instruction Manual for Wide Photo Adapter 60DX for Canon EOS



Attaching the Wide Photo Adapter 60DX

- 1 Loosen the 6 lock screws L on the wide direct photo adapter ring and separate the inner adapter ring from the outer adapter ring.
- 2 Attach the inner adapter ring onto the camera body. Match the index on the inner adapter ring to the lens mount index on the camera body and turn the inner adapter ring so that it clicks into place. The wide direct photo adapter can be detached in the same way as you detach a camera lens from the camera body.
- 3 Fit the inner adapter ring into the outer adapter ring and firmly tighten the lock screws. If the camera body is obstructed by the lock screws L, replace them with the short lock screws S or M5 set screw.



- (1) Hold the lock screw and turn it counterclockwise.
- (2) Make one more counterclockwise turn.
- (3) Now the lock screw makes one rotation.